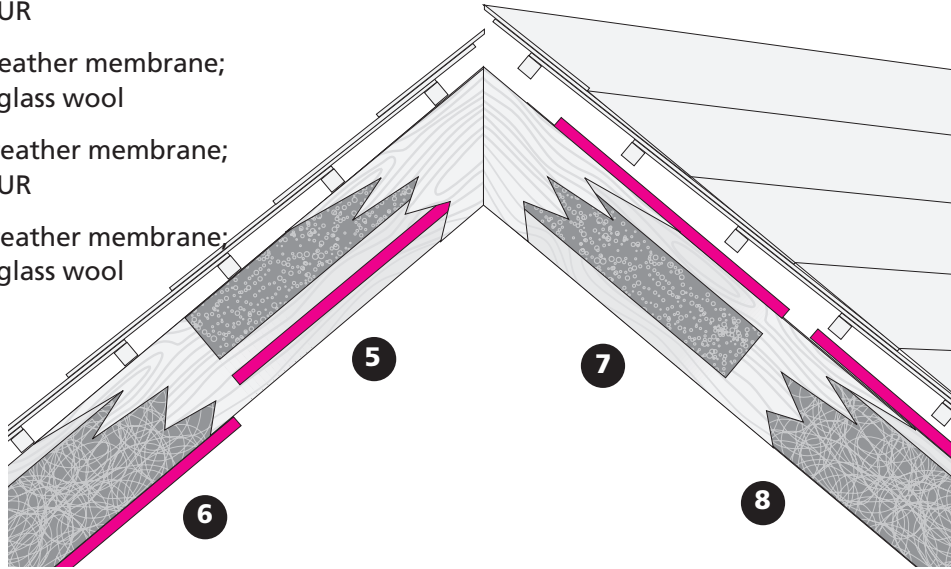


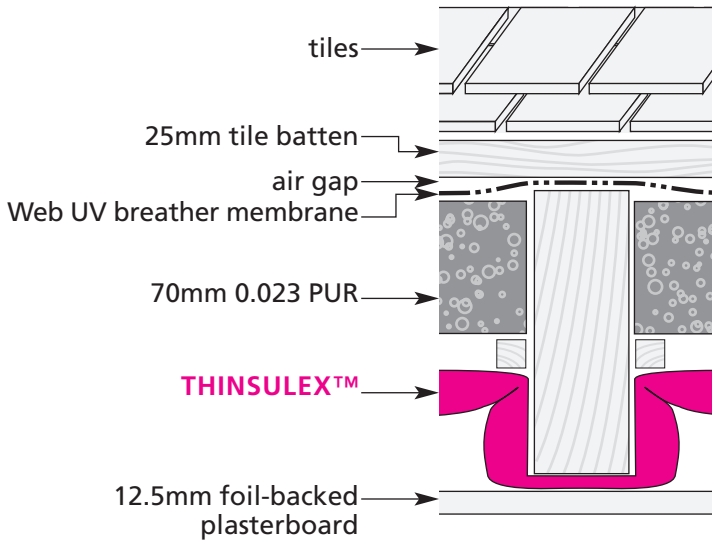
# 150mm rafter 0.2 solutions

- 5 Below rafter; breather membrane; 70mm  $\lambda 0.023$  PUR
- 6 Below rafter; breather membrane; 120mm  $\lambda 0.032$  glass wool
- 7 Above rafter; breather membrane; 70mm  $\lambda 0.023$  PUR
- 8 Above rafter; breather membrane; 120mm  $\lambda 0.032$  glass wool



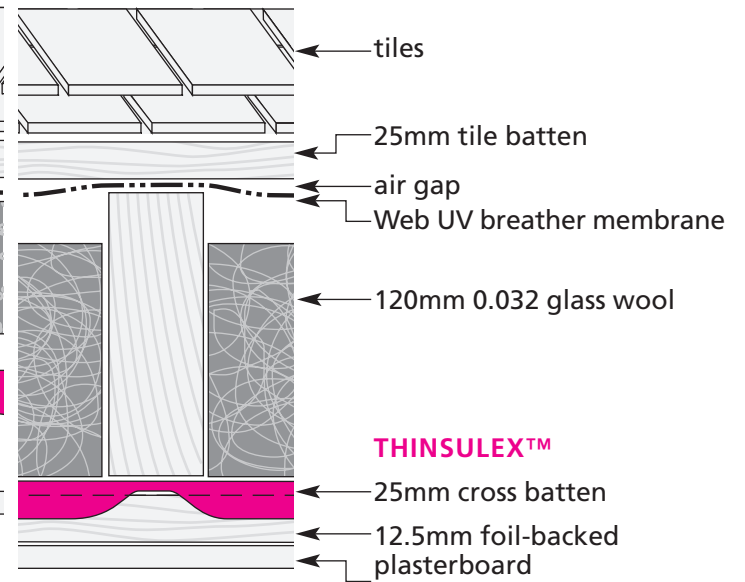
**5**

Below rafter + PUR



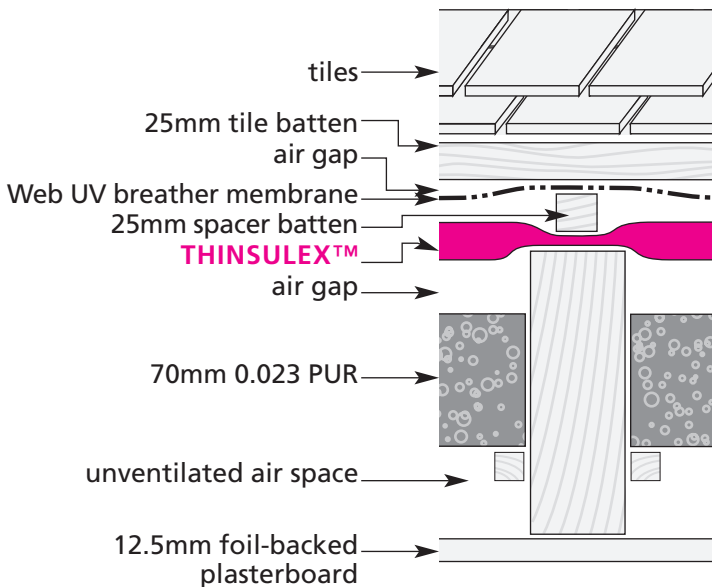
**6**

Below rafter + glass wool



**7**

Above rafter + PUR



**8**

Above rafter + glass wool

